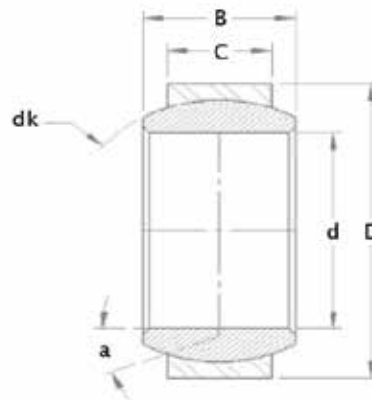


## STATIC LOAD DATA

### BALL & RING SPHERICAL BEARINGS

#### MATERIAL SINTERED IRON

- All load data was obtained by statically testing a large sample size of bearings of each specific size.
- The static load limit is the main value that was obtained by testing.
- It is the force it takes for the bearing ball's bore diameter to change 1/2 total tolerance allowed.
- The bore diameter is within the tolerance up to this force. It is not recommended to exceed this value.
- The static load rating is the max force the ball & ring assembly can take before failure due to either the ball cracking or permanent set created in the ball causing it to lock in place.
- Due to the wide variety of scenarios and by-use cases of the bearing assemblies, a dynamic load rating cannot be found directly.
- The dynamic load rating shown was obtained by taking 1/3 the value of the static load rating.



#### METRIC UNITS

Bearing Model	Nom. Bore Dia.	Min. Bore Dia.	Max Bore Dia.	Ball Dia.	Mounting Hole Dia.	Ball Height	Ring Height	Max Misalignment Rotation Angle	Dynamic Load Rating	Static Load Rating	Static Load Limit	Mass
	d(mm)			Dk (mm)	D (mm)	B (mm)	C (mm)	a (deg.)	Cd (kN)	Cs (kN)	Pmax Limit (kN)	m (kg)
HB												
HB1205P	7.94	7.95	7.99	19.06	22.23	12.70	7.92	40	11.632	34.897	24.417	0.018
HB1206P	9.53	9.54	9.58	19.06	22.23	12.70	7.92	35	12.914	98.737	27.893	0.017



150 Libbey Ave. Oshkosh, WI 54901  
 P: (920)-235-3710  
 F: (920)-235-4523  
 sales@triangleoshkosh.com  
 www.triangleoshkosh.com

Bearing Model	Nom. Bore Dia.	Min. Bore Dia.	Max Bore Dia.	Ball Dia.	Mounting Hole Dia.	Ball Height	Ring Height	Max Mis-	Dynamic Load Rating	Static Load Rating	Static Load Limit	Mass
	d(mm)			Dk (mm)	D (mm)	B (mm)	C (mm)	a (deg.)	Cd (kN)	Cs (kN)	Pmax Limit (kN)	m (kg)
HD												
HDW8	12.70	12.71	12.75	30.19	33.34	19.05	13.49	38	25.912	77.742	48.153	0.089
HDW10	15.88	15.89	15.93	30.19	33.34	19.05	13.49	31	22.548	67.640	42.409	0.079
HDW12	19.05	19.06	19.10	30.19	33.34	19.05	13.49	24	25.347	76.042	46.040	0.048
HDW14	22.23	22.24	22.28	30.19	33.34	15.88	13.49	15	23.986	71.952	42.239	0.033
HE												
HE1508P	12.70	12.71	12.75	25.41	28.58	12.70	8.71	39	15.829	47.482	28.231	0.041
HE1510P	15.88	15.89	15.93	25.41	28.58	12.70	8.71	31	15.486	46.454	26.896	0.035
HE1512P	19.05	19.06	19.10	25.41	28.58	12.70	8.71	21	22.392	67.177	39.107	0.027
HF												
HF4214P	22.23	22.24	22.28	38.00	42.86	25.40	17.48	26	26.491	79.477	55.216	0.158
HF4216P	25.40	25.43	25.48	38.00	42.86	25.40	17.48	20	35.747	107.245	76.242	0.136